



Cylindrical Mounts NDEL 230

A small, round shock and vibration isolation mount where equipment is subjected to serve environmental conditions

Features

- High deflection capability for shock load
- Axial to Radial Stiffness ratio 5 to 6:1
- Compact, low profile design
- Easy to install

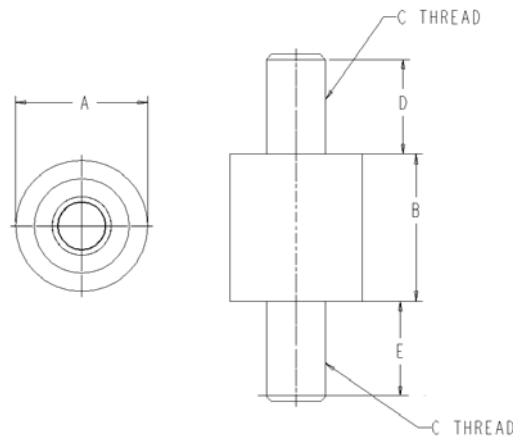
Load Range

- Many load ratings available
- Can be custom tailored to specific applications

Applications

- Military computer applications
- Vehicular equipment
- Avionics
- Light weight electrical equipment

NDEL230 Series Mounts are designed to have a low natural frequency and are easy to install isolators which operate over a broad range of temperature. They are mainly used to isolate delicate instrumentation in mobile, military, or office equipment applications



Part #	Maximum Compression		Axial Natural Frequency HZ	Radial Natural Frequency HZ	A Inches	B Inches	C Thread	D Inches	E Inches
	Axial	Radial							
NDEL230-2	1.0	2.0	16.5	16	.25	.28	#4-40	.190	.190
NDEL230-3	4	1	14	12.0	.44	.44	#6-32	.250	.250
NDEL230-4	4	1	13.5	12.5	.44	.44	#8-32	.250	.250
NDEL230-5	18	3	11.5	9.0	.75	.63	#10-32	.375	.375
NDEL230-6	35	8	9	8	1.0	1.0	#1/4-20	.750	.750

Environmental data

Operating temperature range is -20°F to +180°F (-30°C to +82°C)

Resistance to most solvents, oils and ozone

Other elastomeric formulations are available in BUNA-N, Silicone, Butyl and Polybutadiene for improved damping, low and high temperature resistance