



## Applications

- Industrial machinery
- Military/defense
- Power generation
- HVAC
- Large motors/pumps/ compressors
- Diesel engine applications

## Load Range

- 2270-1 = load ratings to 525 lbs.
- 2270-2 = load ratings to 1000 lbs.
- 2270-3 = load ratings to 1250 lbs.
- 2270-4 = load ratings to 1950 lbs.

## Attributes

- Fail-safe design
- Wide load range covered by four sizes
- Low height for tight locations
- One piece mount
- Threaded core
- Top-down assembly

## Specifications

- Natural frequency—8-15 Hertz
- Transmissibility at resonance—10:1
- Resilient Element—Neoprene and Natural Rubber
- Standard materials—Zinc phosphate, low carbon steel

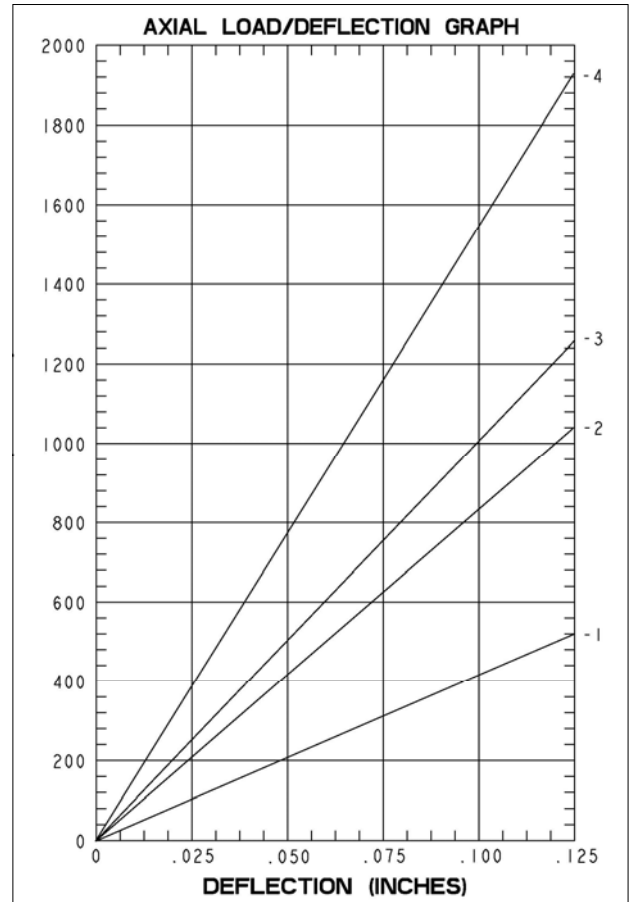
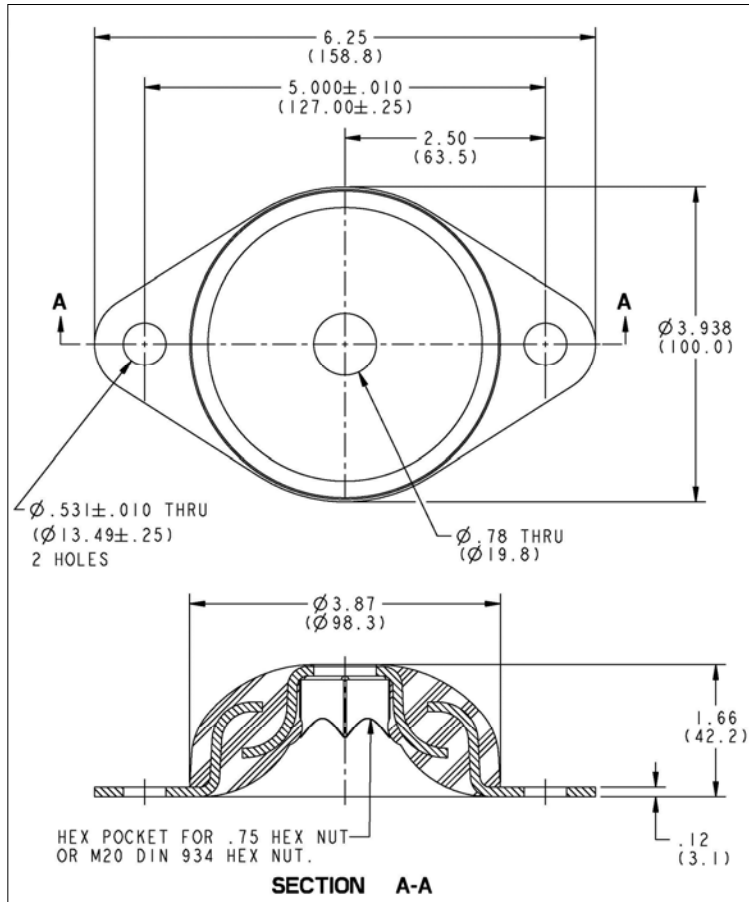
## Elastomeric Data

- Neoprene elastomer has an operating temperature range of  $-40^{\circ}\text{F}$  to  $200^{\circ}\text{F}$  ( $-40^{\circ}\text{C}$  to  $+93^{\circ}\text{C}$ ) and is resistant to oils, most solvents and ozone
- Natural Rubber has an operating temperature range of  $-25^{\circ}\text{F}$  to  $+160^{\circ}\text{F}$  ( $-37^{\circ}\text{C}$  to  $+70^{\circ}\text{C}$ )
- Other materials are available on special order to meet specific operating characteristics

Specifications subject to change without notice. Check with factory for latest revisions. The Federal Trade Commission considers no existing test methods or standards regarding flammability as accurate indicators of the performance of cellular plastic materials under actual fire conditions. Results of existing test methods, such as UL-94, MVSS-302, SAE J-369, and FAR 25.853 are intended only as measurements of the performance of such materials under specific controlled test conditions. Any flammability ratings shown are not intended to reflect hazards presented by these materials under actual fire conditions. The information contained herein is based on laboratory test data developed for PTI and is believed to be reliable, but its accuracy or completeness is not guaranteed. The buyer must test any product to determine the suitability for his specific application before use. PTI DISCLAIMS ANY RESPONSIBILITY FOR: 1) WARRANTIES OF FITNESS AND PURPOSE, 2) VERBAL RECOMMENDATIONS, 3) CONSEQUENTIAL DAMAGES FROM USE AND 4) VIOLATION OF ANY PATENTS OF TRADEMARKS HELD BY OTHERS.



PART NUMBER	MAX LOAD (lbs.)	SPRING RATE (lbs./in.)	Color Code
2270-1	525	4150	Red
2270-2	1000	8300	Orange
2270-3	1250	10,000	Yellow
2270-4	1950	15,600	Green



Specifications subject to change without notice. Check with factory for latest revisions. The Federal Trade Commission considers no existing test methods or standards regarding flammability as accurate indicators of the performance of cellular plastic materials under actual fire conditions. Results of existing test methods, such as UL-94, MVSS-302, SAE J-369, and FAR 25.853 are intended only as measurements of the performance of such materials under specific controlled test conditions. Any flammability ratings shown are not intended to reflect hazards presented by these materials under actual fire conditions. The information contained herein is based on laboratory test data developed for PTI and is believed to be reliable, but its accuracy or completeness is not guaranteed. The buyer must test any product to determine the suitability for his specific application before use. PTI DISCLAIMS ANY RESPONSIBILITY FOR: 1) WARRANTIES OF FITNESS AND PURPOSE, 2) VERBAL RECOMMENDATIONS, 3) CONSEQUENTIAL DAMAGES FROM USE AND 4) VIOLATION OF ANY PATENTS OR TRADEMARKS HELD BY OTHERS.