



Size 1 Cup Mount

A compact, mid range frequency universal mount used in the protection of equipment that is exposed to high shock and vibration environments.

Features

- Fail Safe in all directions.
- All-attitude design
- Compact, low profile design.
- Easy to install.
- High Damped Silicone or Neoprene.
- Zinc plated steel construction.
- Can be used in tandem for higher deflection capability.

Load Range

- 4 load ratings available up to 100 Lbs/mount
- Can be custom tailored to specific applications.

Environmental Shock and Vibe

- Attenuates a 10g, 11 millisecond half-sine shock to 2 g's.
- Survives a 30g, 11 millisecond half-sine crash safety shock.
- Passes MIL-STD-167 Vibration.

Applications

- Ship Board Equipment.
- Vehicular Electronics.
- Aircraft/Missile Electronics.
- Racking Systems.
- Random Vibration Environments.



The 1870 Size 1 Cupmount is design to protect equipment in high shock and vibration environments with efficient isolation above 35 Hertz. They have an all-attitude design so they can be mounted in any direction to protect equipment

Part #	Maximum Load (lbs.)		Natural Frequency (HZ) Vibration Load	Standard Material	Standard Elastomer	Transmissibility at Resonance
	Vibration	Shock				
1870-1S	20	8-14	25	Zinc Plated Steel	Hi-Damp Silicone	4:1
1870-2S	30	14-24	27	Zinc Plated Steel	Hi-Damp Silicone	4:1
1870-3S	70	24-38	25	Zinc Plated Steel	Hi-Damp Silicone	4:1
1870-4S	100	38-60	27	Zinc Plated Steel	Hi-Damp Silicone	4:1

Environmental data

Hi-Damp Silicone operating temperature range is -67°F to +300°F (-55°C to +150°C)

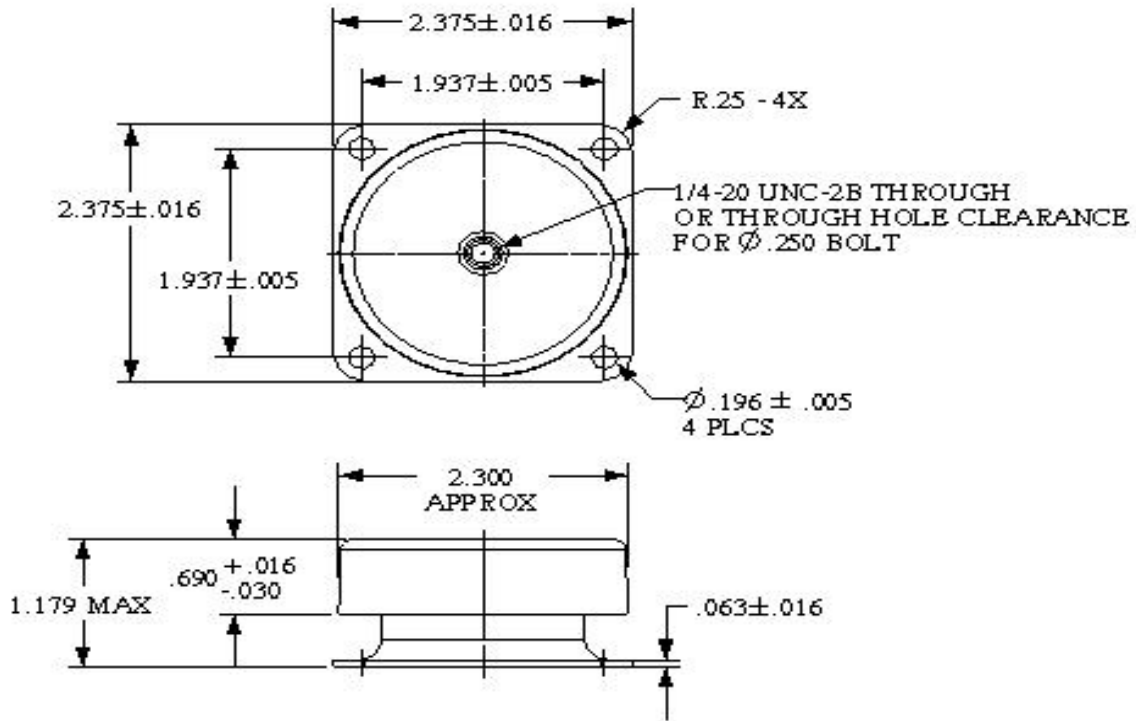
Resistance to fungus, most solvents and ozone

Other elastomeric formulations are available in BUNA-N, Butyl and Polybutadiene, Neoprene

Engineered Plastics Solutions Group, Inc
22 Thompson Road
Norwood, MA 02062

Phone: (781)-762-3913
Fax: (781)-762-5101
Email: info@epsinc.com

1870 Cup Mount Dimensions & Load Deflection Curves



Size 1 Cupmounts

