

# **Polymer Technologies, Inc**

## **Elastomeric Solutions Division**

*The Specialist in Custom Shock and Vibration Solutions*

### **Our Company**

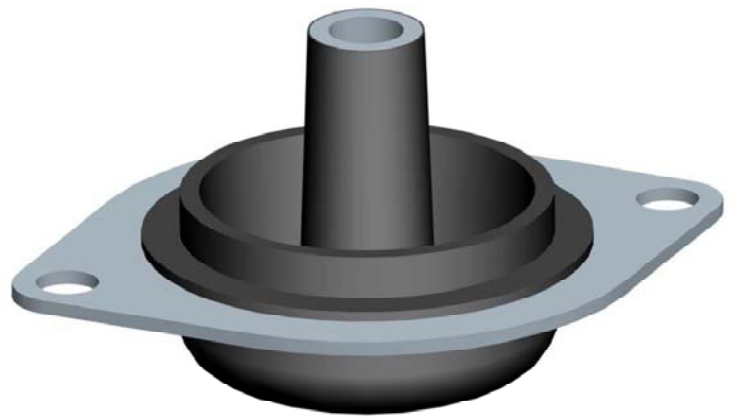
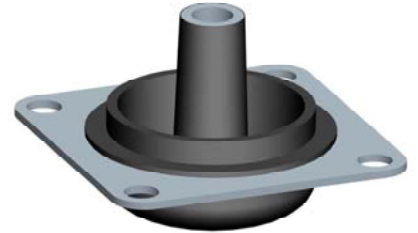
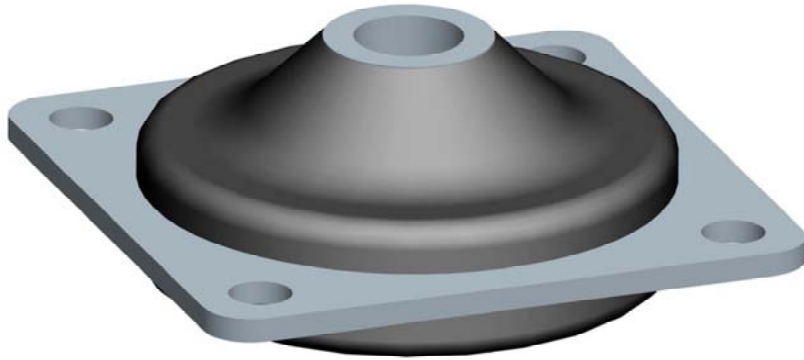
**Polymer Technologies Inc.**, established in 1989, is a Delaware based engineering and manufacturing company specializing in energy management materials including solutions in shock and vibration isolation, noise reduction, and thermal energy management. Polymer Technologies is devoted to providing not only high quality vibration isolation products, but also incredible customer service and collaboration. By integrating high quality base materials, extensive product development, comprehensive materials testing, and customer collaboration, we are able to provide the most innovative and unique vibration solutions in the energy management industry.

Polymer Technologies Inc. is always at the forefront of innovation with our engineers developing high quality, custom shock & vibration isolation materials at our Massachusetts based Elastomeric Solutions Division. Our Elastomeric Solutions Division has been integral in the design and development of Duraflex®, a proprietary rubber compound. Duraflex® is an ultra-high fatigue-life rubber that exhibits high abrasion resistance, high tensile strength, and excellent bond strength to metal, making it the perfect rubber compound to use in industrial tires, trucking applications, engine mounts, and even military equipment. To add to its value, DuraFlex® also obtained the lowest temperature rise known to exist on the Goodrich Flexometer Test, a milestone that no other manufacturer has been able to obtain and something our engineers pride themselves upon.

Polymer Technologies is also the developer and manufacturer of noise absorption materials, acoustic barriers, damping pads, filtration foam, gasketing materials, and thermal insulation.

For more information about how DuraFlex® Rubber or any of our other custom solutions can be used in your application, please contact our sales team at [www.polytechinc.com/contact](http://www.polytechinc.com/contact)

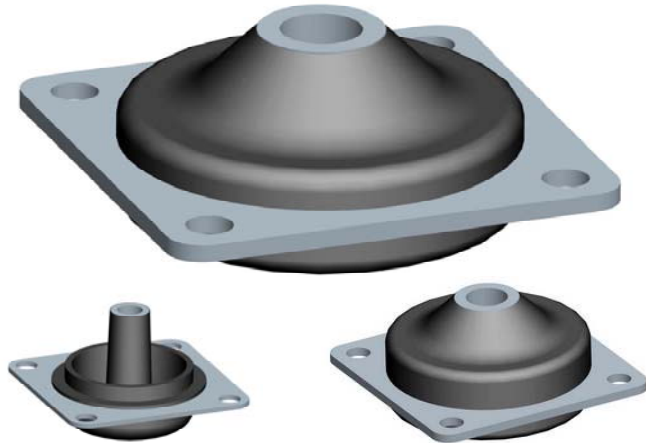
# PLATFORM MOUNT SERIES



# Platform Mount Series

**Versatile, low frequency isolators recommended to isolate steady state vibration and control occasional shock inputs. These lightweight and compact isolators provide multi-directional isolation from lower frequency disturbances**

---



## Applications

- Oxygen concentrators
- Gensets
- Engine mounts
- Cab mounts
- Medical equipment
- Compressors
- Electronic equipment

## Attributes

- All attitude
- Low cost
- Compact, low profile design
- Available in a square or diamond shaped flange
- Easy to install
- Low natural frequency

## Load range

- EP3001 = 8 load ratings from 4 to 20 lbs.
- EP3002 = 16 load ratings from 3 to 26 lbs.
- EP3003 = 10 load ratings from 12 to 60 lbs.
- EP3004 = 12 load ratings from 20 to 90 lbs.
- EP3106 = 10 load ratings from 1 to 6 lbs.
- EP3156 = 8 load ratings from 6 to 16 lbs.

---

## Specifications

- Natural Frequency - 8-20 Hertz
- Transmissibility at resonance - 10:1
- Resilient Element - Neoprene
- Standard materials - Cold-rolled steel
- Weight - varies with model

---

## Elastomeric data

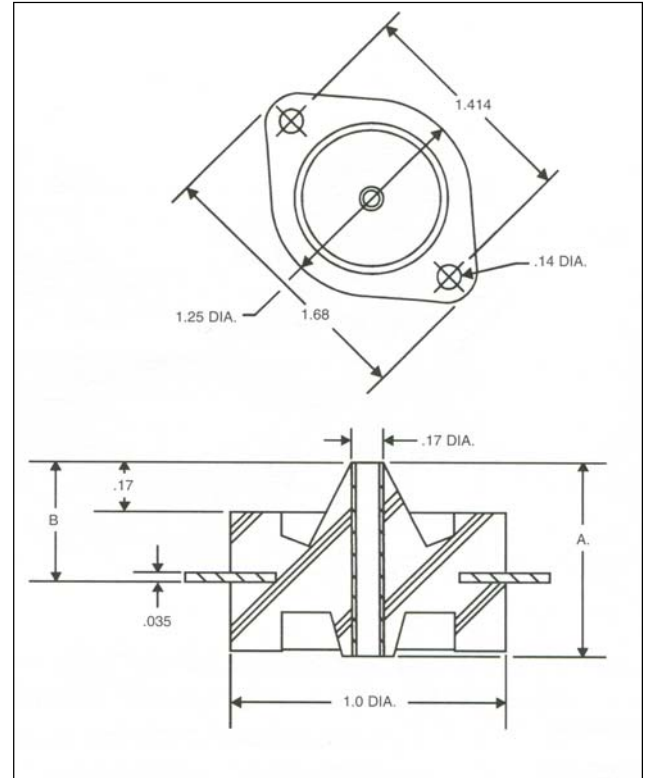
- Operating temperature range is -40°F to +200°F (-40°C to +93°C) and is resistant to oil, most solvents and ozone
- Other elastomeric formulations are available in BUNA-N, Silicone, Butyl and Polybutadiene for improved damping, low and high temperature resistance

# Platform Mount Series: 3001

## Dimension and Load Range Specifications

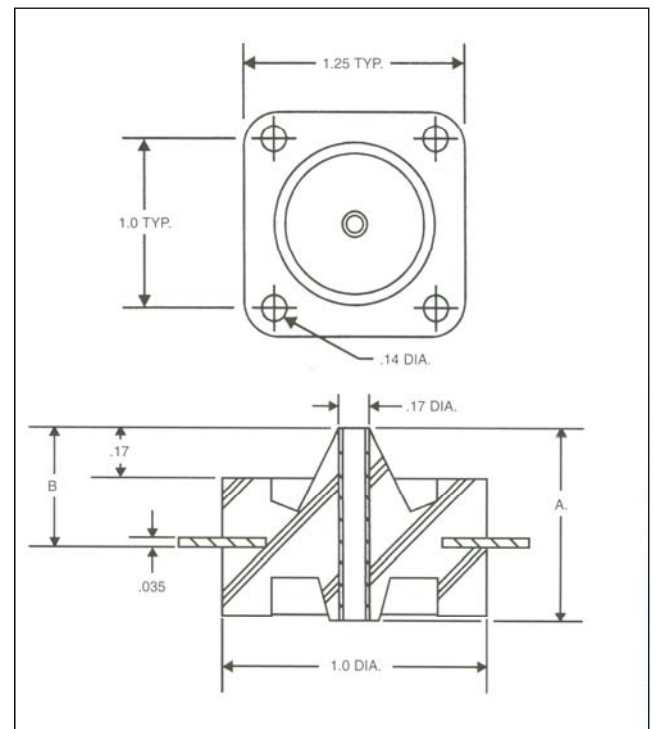
PART NUMBER	MAX STATIC LOAD (lbs.)	AXIAL SPRING RATE (lbs./in.)	A height	B height
EP3001-01	4	62	.75	.45
EP3001-02	8	125	.75	.45
EP3001-03	12	190	.75	.45
EP3001-04	20	330	.75	.45

**Diamond Flange**



PART NUMBER	MAX STATIC LOAD (lbs.)	AXIAL SPRING RATE (lbs./in.)	A height	B height
EP3001-51	4	62	.75	.45
EP3001-52	8	125	.75	.45
EP3001-53	12	190	.75	.45
EP3001-54	20	330	.75	.45

**Square Flange**



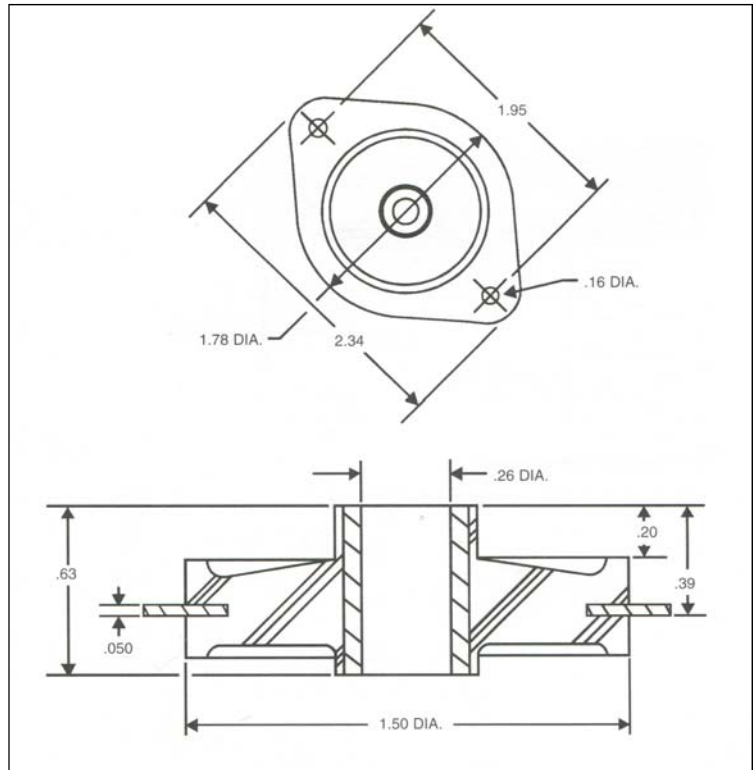
**M**

# Platform Mount Series: 3002

## Dimension and Load Range Specifications

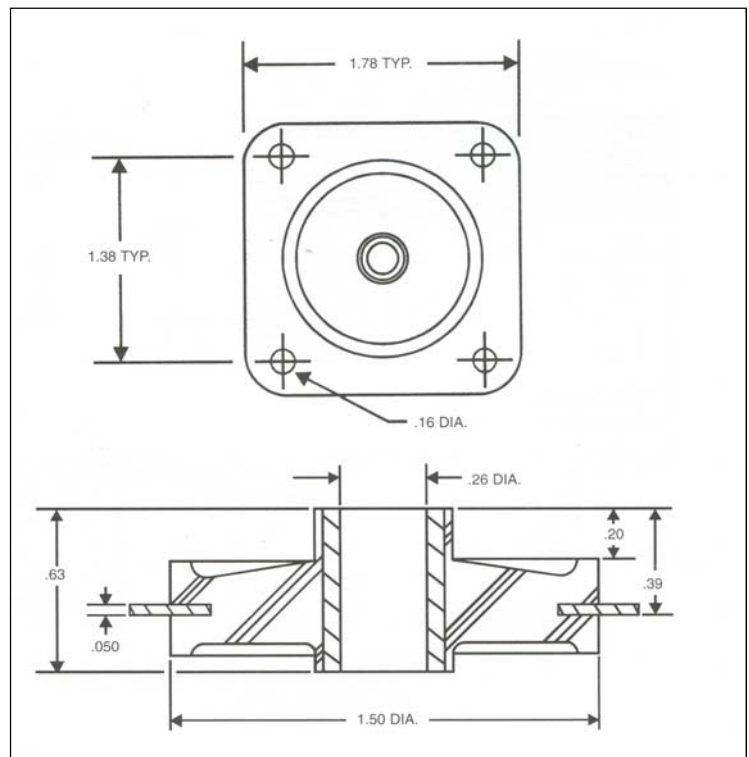
PART NUMBER	MAXIMUM STATIC (lbs.)	AXIAL SPRING RATE (lbs./in.)
EP3002-01	3	33
EP3002-02	6	63
EP3002-03	9	100
EP3002-04	12	130
EP3002-05	14	163
EP3002-06	17	192
EP3002-07	20	220
EP3002-08	26	290

**Diamond Flange**



PART NUMBER	MAXIMUM STATIC (lbs.)	AXIAL SPRING RATE (lbs./in.)
EP3002-51	3	33
EP3002-52	6	63
EP3002-53	9	100
EP3002-54	12	130
EP3002-55	14	163
EP3002-56	17	192
EP3002-57	20	220
EP3002-58	26	290

**Square Flange**

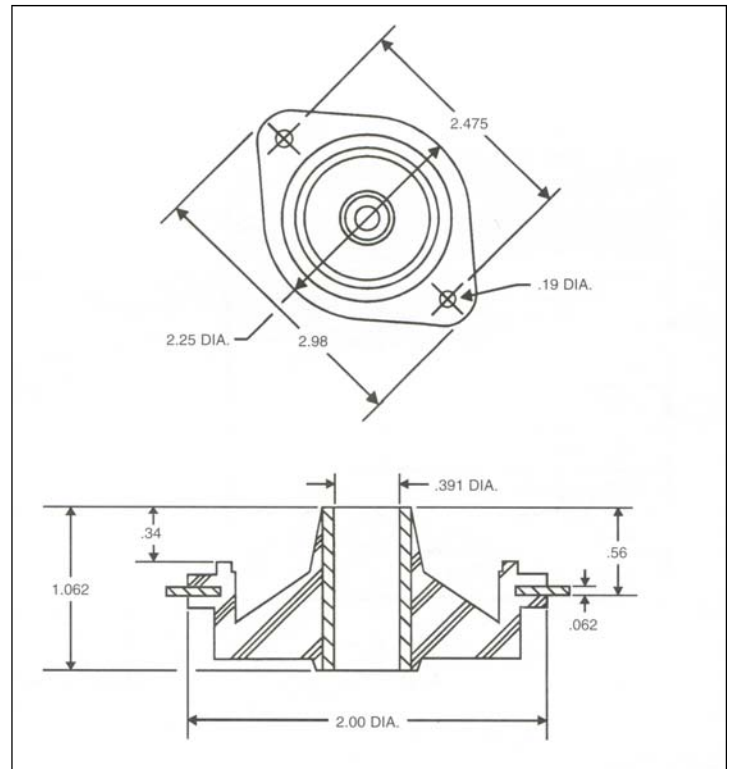


# Platform Mount Series: 3003

## Dimension and Load Range Specifications

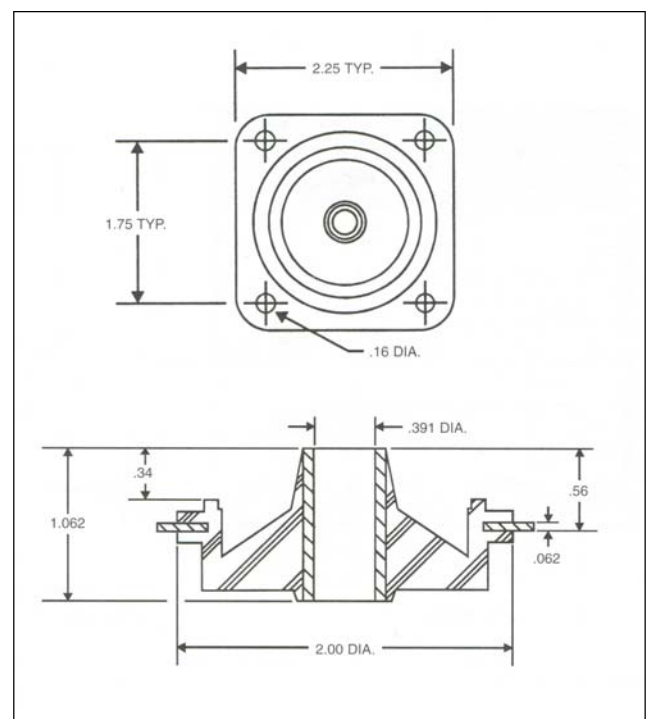
PART NUMBER	MAXIMUM STATIC (lbs.)	AXIAL SPRING RATE (lbs./in.)
EP3003-01	12	67
EP3003-02	20	110
EP3003-03	30	155
EP3003-04	45	240
EP3003-05	60	315

**Diamond Flange**



PART NUMBER	MAXIMUM STATIC (lbs.)	AXIAL SPRING RATE (lbs./in.)
EP3003-51	12	67
EP3003-52	20	110
EP3003-53	30	155
EP3003-54	45	240
EP3003-55	60	315

**Square Flange**



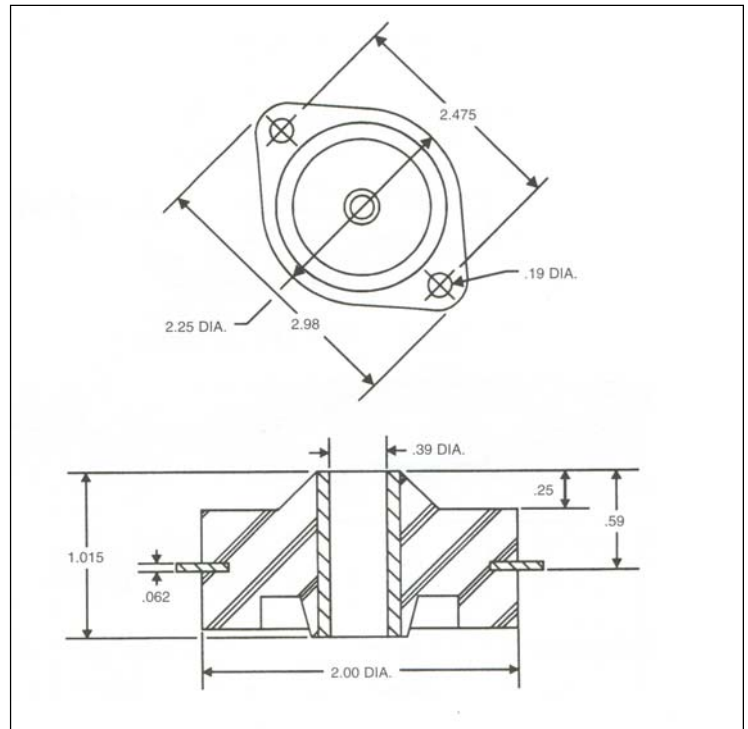
**M**

# Platform Mount Series: 3004

## Dimension and Load Range Specifications

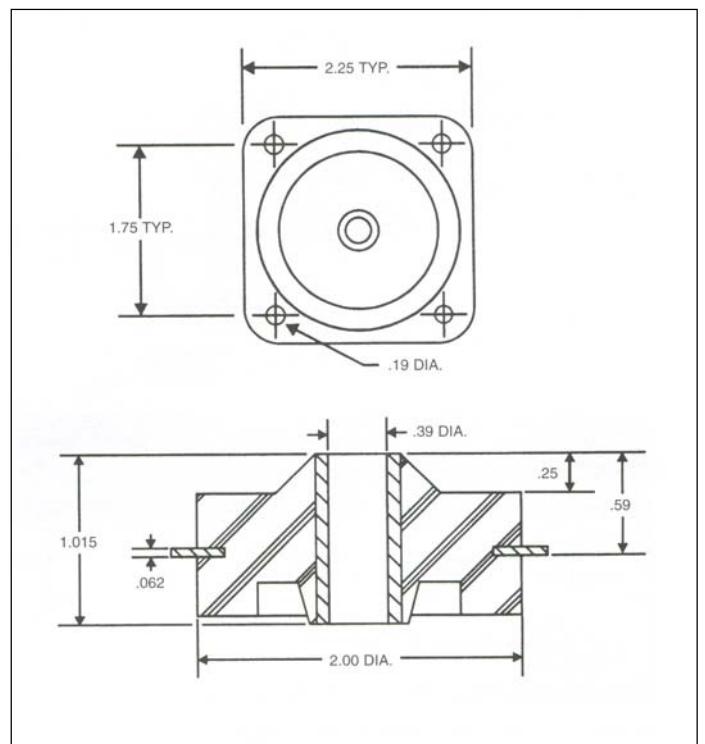
PART NUMBER	MAXIMUM STATIC (lbs.)	AXIAL SPRING RATE (lbs./in.)
EP3004-00	20	160
EP3004-01	30	230
EP3004-02	40	300
EP3004-03	50	385
EP3004-04	70	530
EP3004-05	90	690

**Diamond Flange**



PART NUMBER	MAXIMUM STATIC (lbs.)	AXIAL SPRING RATE (lbs./in.)
EP3004-50	20	160
EP3004-51	30	230
EP3004-52	40	300
EP3004-53	50	385
EP3004-54	70	530
EP3004-55	90	690

**Square Flange**

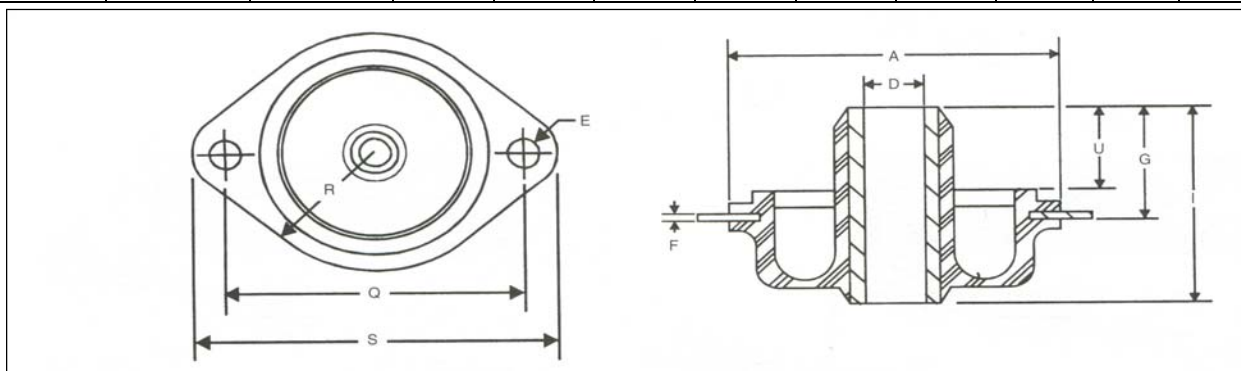


# Platform Mount Series: 3106

## Dimension and Load Range Specifications

### Diamond Flange

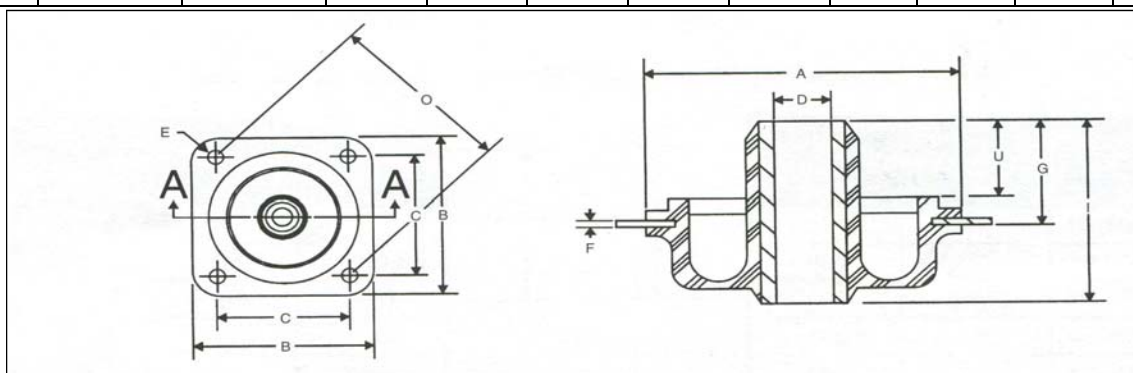
PART NUMBER	AXIAL SPRING RATE (lbs./in.)	MAX LOAD (lbs.)	A	D +.008 -.005	E +.003 -.002	F	G	I (MIN)	Q	R	S	U
EP3106-01	5	1	1.00	0.166	0.166	0.032	0.53	0.84	1.414	0.62	1.66	0.38
EP3106-02	11	2										
EP3106-03	16	3										
EP3106-04	21	4										
EP3106-05	32	6										



### Square Flange

**M**

PART NUMBER	AXIAL SPRING RATE (lbs./in.)	MAX LOAD (lbs.)	A	B	C	D +.008 -.005	E +.003 -.002	F	G	I	O	U
EP3106-51	5	1	1.00	1.25	1.000	0.166	0.166	0.032	0.53	0.84	1.414	0.38
EP3106-52	11	2										
EP3106-53	16	3										
EP3106-54	21	4										
EP3106-55	32	6										

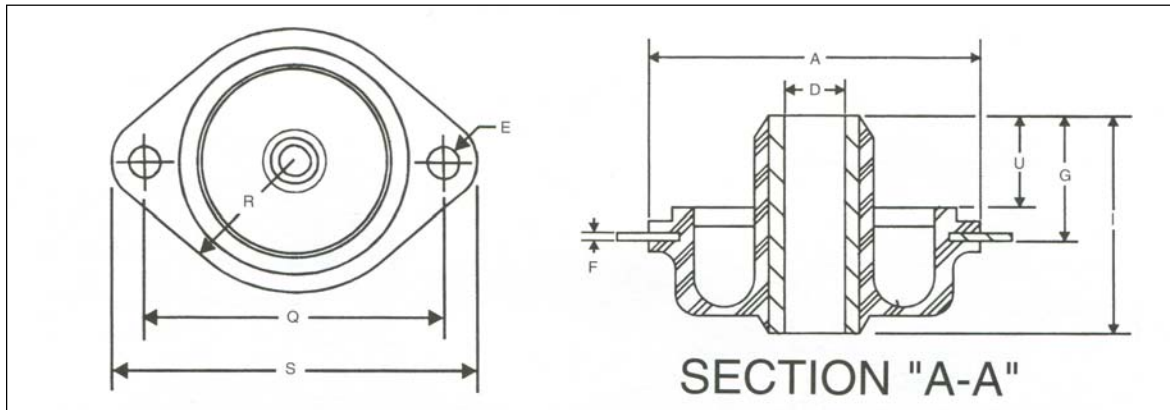




# Platform Mount Series: 3156

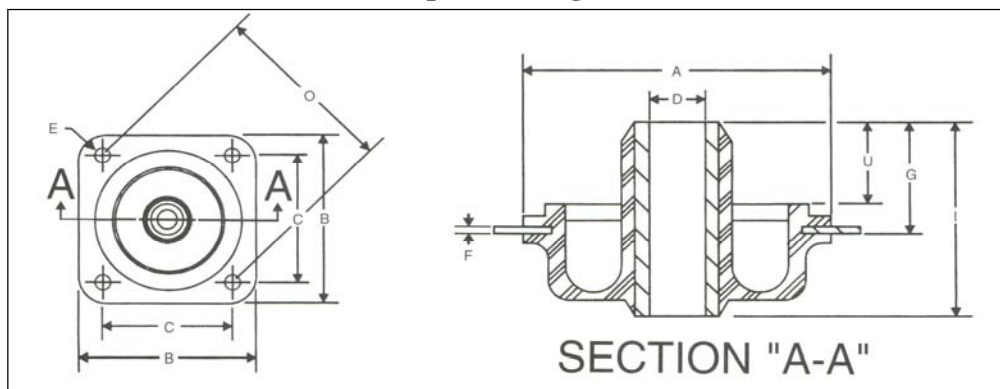
## Dimension and Load Range Specifications

### Diamond Flange



PART NUMBER	AXIAL SPRING RATE (lbs./in.)	MAX LOAD (lbs.)	A	D +.008 -.005	E +.003 -.002	F	G	I (MIN)	Q	R	S	U
EP3156-01	32	6	1.50	0.257	0.166	0.050	0.55	0.97	1.945	0.88	2.32	0.38
EP3156-02	48	9										
EP3156-03	69	13										
EP3156-04	85	16										

### Square Flange

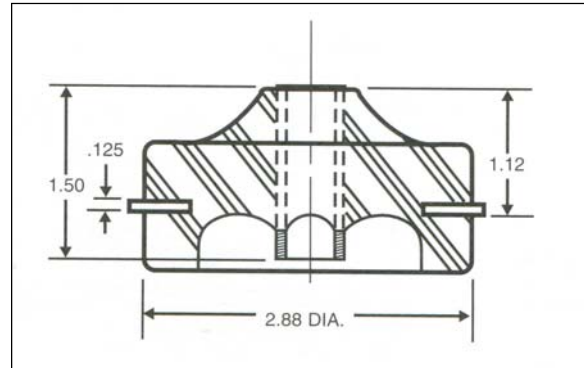
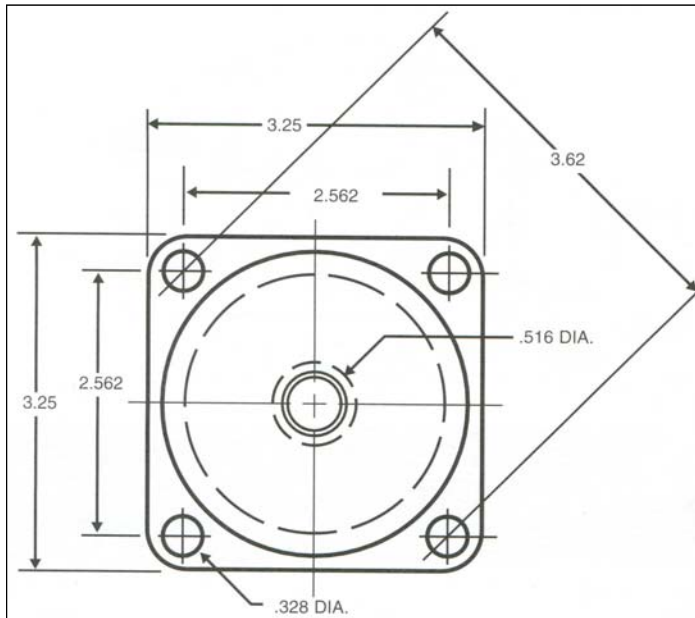


PART NUMBER	AXIAL SPRING RATE (lbs./in.)	MAX LOAD (lbs.)	A	B	C	D +.008 -.005	E +.003 -.002	F	G	I	O	U
EP3156-51	32	6	1.50	1.75	1.375	0.257	0.166	0.050	0.55	0.97	1.945	0.38
EP3156-52	48	9										
EP3156-53	69	13										
EP3156-54	85	16										

# Platform Mount Series: 3011/3020

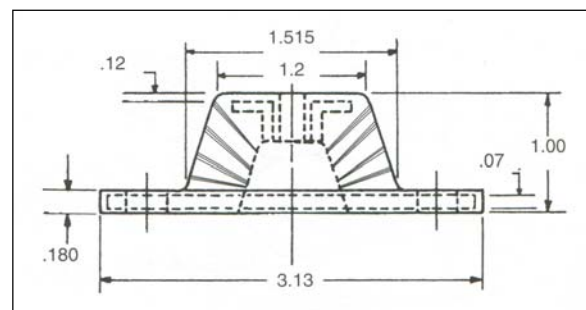
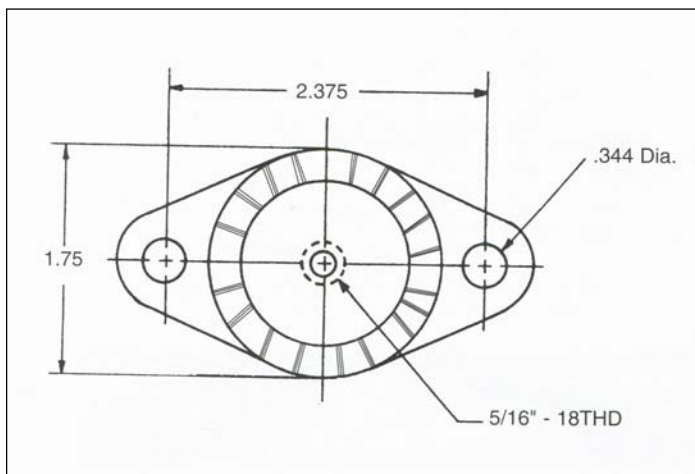
## Dimension and Load Range Specifications

**Square Flange**



PART NUMBER	DUROMETER
EP3011-01	30
EP3011-02	40
EP3011-03	50
EP3011-04	60
EP3011-05	70

**M**



PART NUMBER	DUROMETER
EP3020-01	30
EP3020-02	40
EP3020-03	50
EP3020-04	60
EP3020-05	70

# **PRODUCT INFORMATION**

Every effort has been made to ensure that the information contained in this catalog was accurate at the time of publication. Polymer Technologies Inc. reserves the right to make changes at any time without prior notice. Please contact us before using the information contained herein as the basis for your design or specification. This information is provided for reference only.